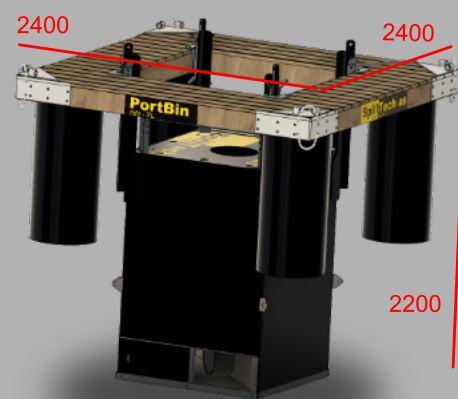
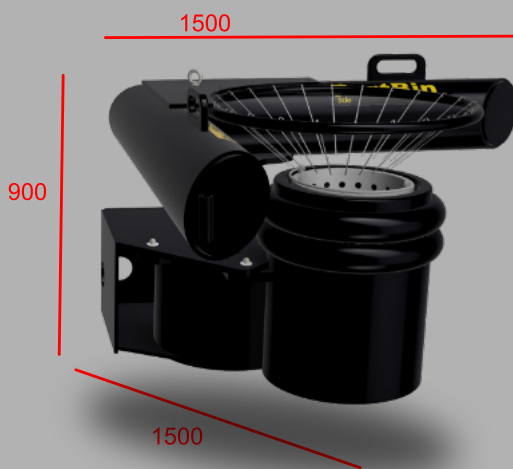


# PortBin

*tide*



- collects floating marine waste in the ports "debris bays"
- handles the tide
- have a huge waterflow ! (free flow  $147\text{m}^3/\text{h}$ )
- makes ports cleaner
- makes public areas more pleasant
- gives "enviromental credibility"
- works WITH the nature and tide 24/7
- motor effect 560 W , (power consumption max 750 W)
- manually operated
- three versions: PortBin - tide, - tide shallow, - tide XL



# SpillTech

[www.SpillTech.no](http://www.SpillTech.no)